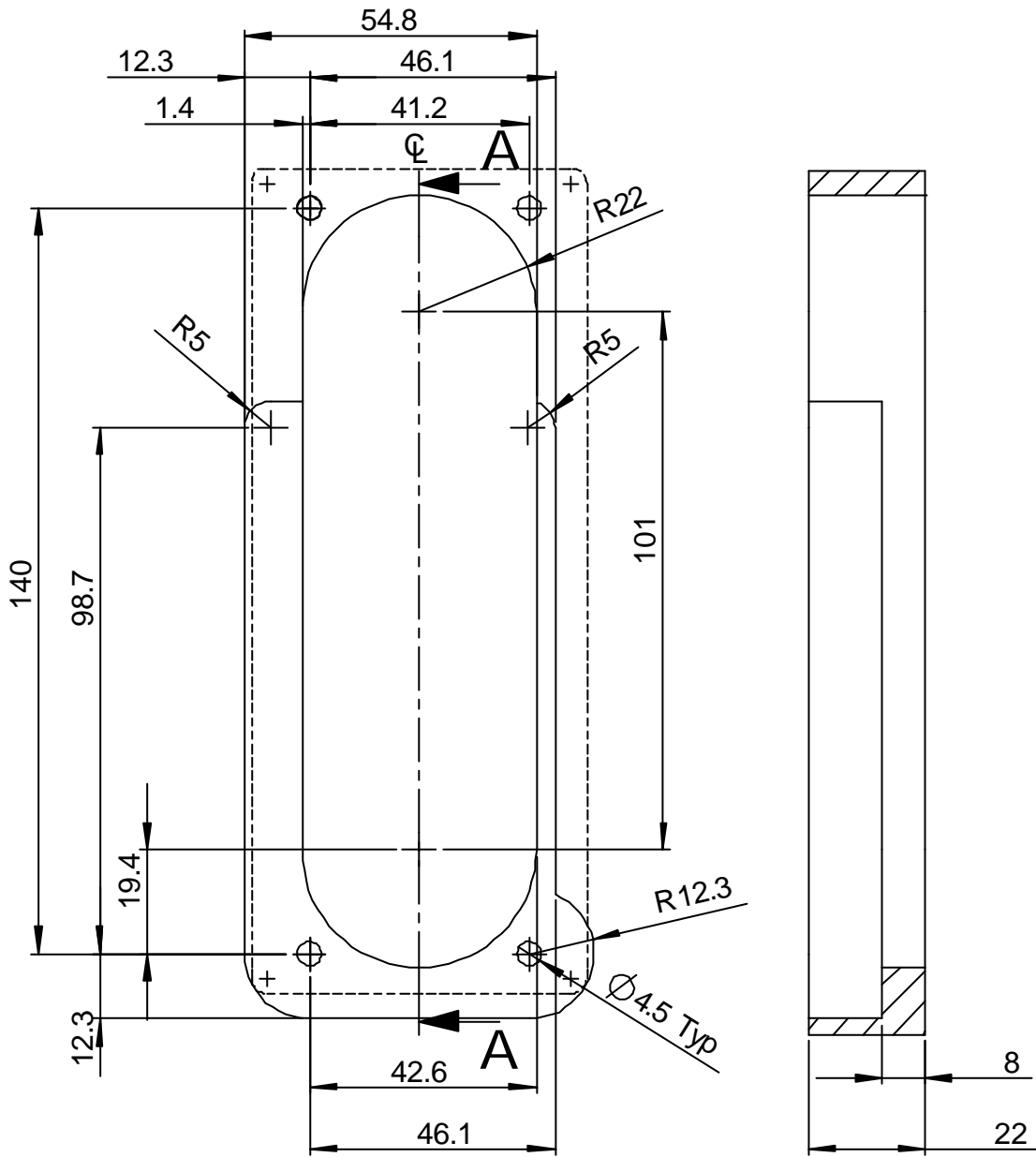


155 Facia Recessed Panel Cut Out



VIEW FROM REAR OF PANEL

NOTE :

Use 2 off 6mm Panel screws Part# 90935 for top fixings.

Use 2 off 22mm Panel screws Part # 90930 for bottom fixings.

DXF or DWG files available on request