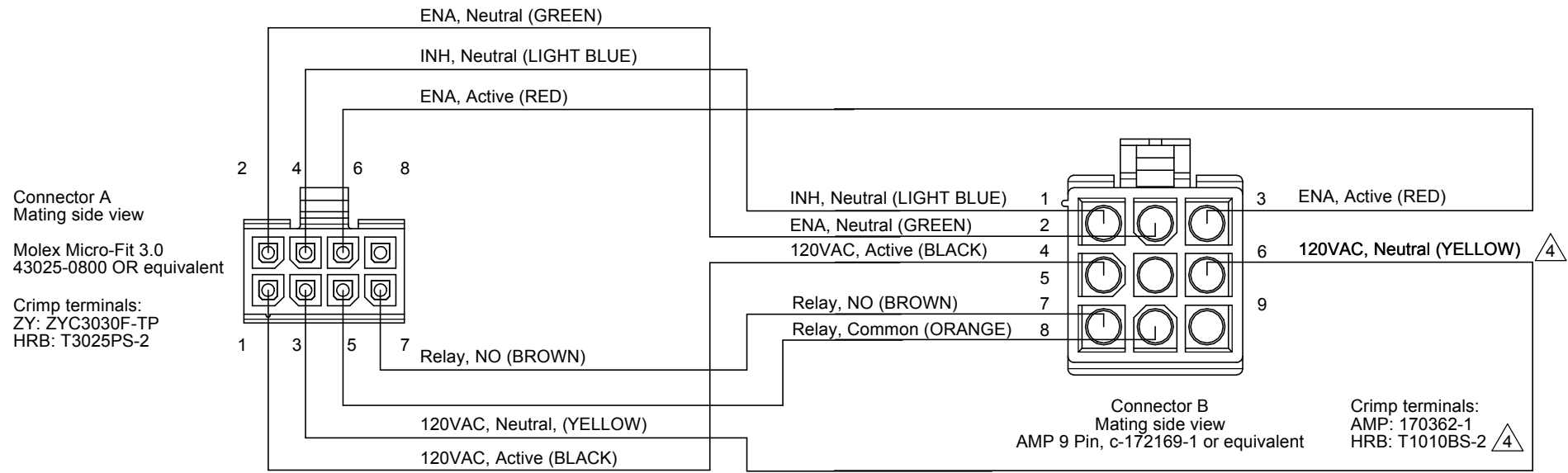
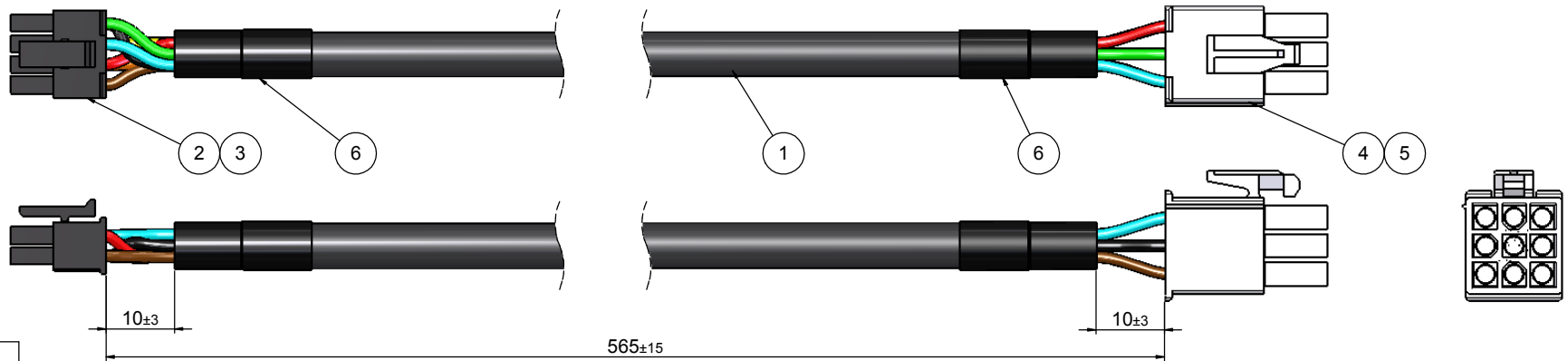


A  
B  
C  
D  
E  
F  
G  
H  
I  
J



Connector A  
Mating side view  
Molex Micro-Fit 3.0  
43025-0800 OR equivalent  
Crimp terminals:  
ZY: ZYC3030F-TP  
HRB: T3025PS-2

Connector B  
Mating side view  
AMP 9 Pin, c-172169-1 or equivalent  
Crimp terminals:  
AMP: 170362-1  
HRB: T1010BS-2



| Conn A | Conn B | Description     | Wire colour |
|--------|--------|-----------------|-------------|
| 1      | 4      | 120VAC, Active  | BLACK       |
| 2      | 2      | ENA, Neutral    | GREEN       |
| 3      | 6      | 120VAC, Neutral | YELLOW      |
| 4      | 1      | INH, Neutral    | LIGHT BLUE  |
| 5      | 8      | Relay, Common   | ORANGE      |
| 6      | 3      | ENA, Active     | RED         |
| 7      | 7      | Relay, NO       | BROWN       |

- Notes:
- Wire: UL2464 AWG20x7C OD:6.5mm Black Cable
  - Housing: P3025-2x4-B-H x1PCS(UL file no. E304945)
  - Terminal: T3025PS-2 x7PCS
  - Housing: P1010-3x3-N-H x1PCS(UL file no. E304945)
  - Terminal: T1010BS-2 x7PCS
  - Heat shrink tube: (UL) Black dia7.0mm L=20.0mm x2PCS

ATR P/N: WA-P147500A05PA  
3D Filename: ASY-M-141403 R4 Loom, 110VAC.x\_t

| ZONE | REV. | DESCRIPTION   | DATE       | DRAWN    |
|------|------|---|------------|----------|
|      | 4    | Changed the 9 pins connector (Housing No. P1010-3x3-N-H was H66A5-09P; Terminal No. T1010BS-2 was T66A5); Corrected the wire colour for 120VAC, Neutral as per the samples. | 27/09/2016 | Eric Cao |
|      | 3    | Added heat shrink tubing and removed the overmoulding detail.   | 2/09/2014  | Ivan R.  |
|      | 2    | Fuse removed from loom. R2.1 Changed AWG18 to AWG20 to suit the crimp size.   | 6/06/2014  | Ivan R.  |

|            |                 |
|------------|-----------------|
| MATERIAL : | See notes       |
| GRADE:     |                 |
| FINISH :   |                 |
| COLOUR:    |                 |
| DRAWN :    | Ivan Radojkovic |
| DATE :     | 03/03/2014      |
| CHECKED :  | Ivan Radojkovic |
| APPROVED : | Steve Lewis     |



**ST1C**  
Loom, 110VAC