

GBA

www.globalbillacceptors.com

ST1

Vertical up or down note-stacking configurations.

Cashbox capacities up to 600 notes with locking option.

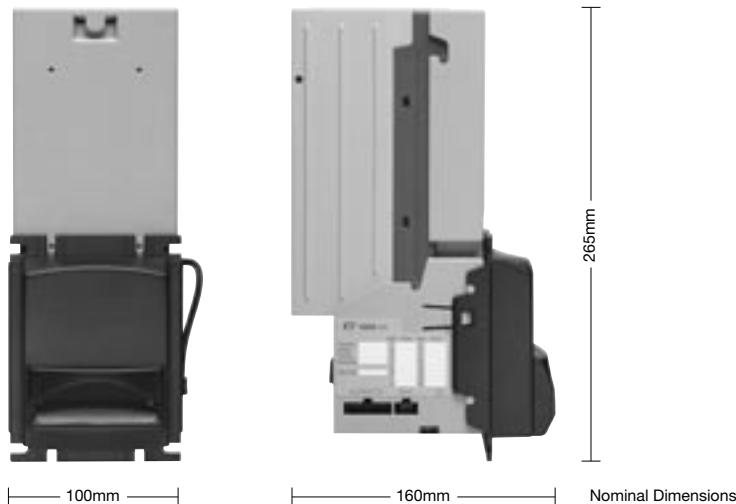
Compact, maintenance-friendly design.

Suited for global vending applications.



GBA

ST1



GBA ST1

The popular Global Bill Acceptor, GBA, is a widely distributed and accepted bank note reader, which is renowned for its simplicity, reliability and capacity to accept a wide range of world currencies.

The GBA ST1 offers a compact, vertical up or down note stacking solution, particularly designed to suit the vending industry. It is a global product, which can be used in all international markets with the snap-change of a note guide. The note cassette can be easily removed and replaced. Optionally, the cassette may also be locked.

With a new, technologically advanced note validation platform, the GBA ST1 is an excellent and reliable solution for its market place, both in terms of its wide range of note validation and its sturdy housing.

Key features:

- A wide range of interfaces, including : MDB, Parallel, Pulse, Serial, SSP, ccTalk
- Accepts up to 32 notes, in 4 directions (max note width 80mm)
- Illuminated, flashing note guide as standard
- Snap-fit, interchangeable note guides
- Single Note Escrow
- FLASH download capabilities
- Optional magnetic head
- Sensor auto-calibration
- Push button, on-board diagnostics
- Range of lockable (optional) and removable note cassette sizes
- Comprehensive GBA Talk software support package
- Stylish fascias to suit a wide range of applications
- Simple access to the internal ST1 note path.

The GBA ST1 has wide ranging applications in markets requiring a simple, reliable note stacking solution.

Support

Backed by dedicated teams of research and development engineers, sales professionals and support staff, the GBA product is our commitment to a vision of product excellence and customer satisfaction.

The Company

Astrosys International Ltd specialises in the design, manufacture and distribution of the Microcoin coin validator and GBA bank note reader. It supports its products with ISO9001 certified manufacturing plants and an international network of offices and market representation in Australia, Hong Kong, the United Kingdom and the USA.

www.globalbillacceptors.com


 **Astrosys International Ltd**
Worldwide Brands:

GBA
www.globalbillacceptors.com

Microcoin
www.microcoin.com

 **AstroSystems Ltd**

No 1, The Quadrangle
Grove Technology Park
Wantage
Oxon OX12 9FA
Tel +44 (0) 1235 772201
Fax +44 (0) 1235 772202
Email sales@astrosystems.co.uk

 **AstroSystems, Inc.**

4210 Production Court
Las Vegas
Nevada 89115
Tel +1 702 643 1600
Fax +1 702 643 1717
Email sales@astrosystemsinc.com

 **Microsystem Controls Pty Ltd**
Sydney

Unit 6, 11 Robertson Place
South Penrith
NSW 2750 Australia
Tel +61 2 4731 6655
Fax +61 2 4731 4934
Email sales@microcoin.com

Melbourne
Unit D2.0, Ground Floor
63-85 Turner Street
Port Melbourne
Victoria 3207 Australia
Tel +61 3 9646 6446
Fax +61 3 9646 6447
Email sales@microcoin.com

 **AstroSystems (Far East) Ltd**

2/F 28 Hung To Road
Kwun Tong
Kowloon
Hong Kong
Tel +852 2342 6123
Fax +852 2342 6105
Email ASF.Sales@astrotech.com.hk

Authorised Distributor



GBA

www.globalbillacceptors.com

ST1

Vertical up or down note-stacking configurations.

Cashbox capacities up to 600 notes with locking option.

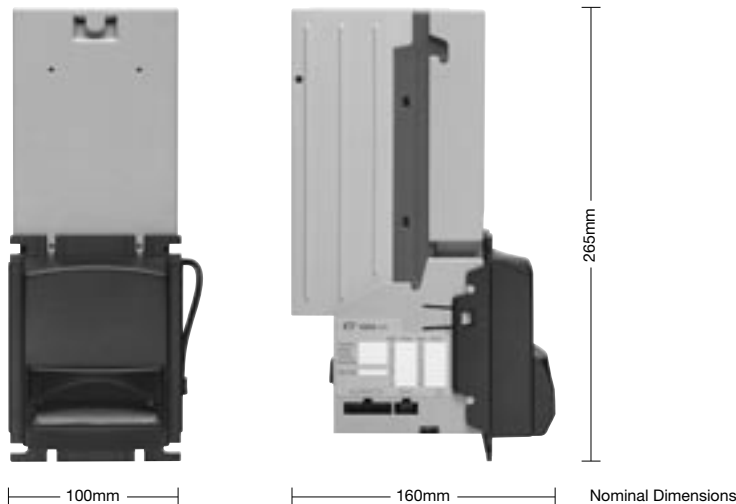
Compact, maintenance-friendly design.

Suited for global vending applications.



GBA

ST1



GBA ST1

The popular Global Bill Acceptor, GBA, is a widely distributed and accepted bank note reader, which is renowned for its simplicity, reliability and capacity to accept a wide range of world currencies.

The GBA ST1 offers a compact, vertical up or down note stacking solution, particularly designed to suit the vending industry. It is a global product, which can be used in all international markets with the snap-change of a note guide. The note cassette can be easily removed and replaced. Optionally, the cassette may also be locked.

With a new, technologically advanced note validation platform, the GBA ST1 is an excellent and reliable solution for its market place, both in terms of its wide range of note validation and its sturdy housing.

Key features:

- A wide range of interfaces, including : MDB, Parallel, Pulse, Serial, SSP, ccTalk
- Accepts up to 32 notes, in 4 directions (max note width 80mm)
- Illuminated, flashing note guide as standard
- Snap-fit, interchangeable note guides
- Single Note Escrow
- FLASH download capabilities
- Optional magnetic head
- Sensor auto-calibration
- Push button, on-board diagnostics
- Range of lockable (optional) and removable note cassette sizes
- Comprehensive GBA Talk software support package
- Stylish fascias to suit a wide range of applications
- Simple access to the internal ST1 note path.

The GBA ST1 has wide ranging applications in markets requiring a simple, reliable note stacking solution.

Support

Backed by dedicated teams of research and development engineers, sales professionals and support staff, the GBA product is our commitment to a vision of product excellence and customer satisfaction.

The Company

Astrosys International Ltd specialises in the design, manufacture and distribution of the Microcoin coin validator and GBA bank note reader. It supports its products with ISO9001 certified manufacturing plants and an international network of offices and market representation in Australia, Hong Kong, the United Kingdom and the USA.

www.globalbillacceptors.com


 **Astrosys International Ltd**
Worldwide Brands:

GBA
www.globalbillacceptors.com

Microcoin
www.microcoin.com

 **AstroSystems Ltd**

No 1, The Quadrangle
Grove Technology Park
Wantage
Oxon OX12 9FA
Tel +44 (0) 1235 772201
Fax +44 (0) 1235 772202
Email sales@astrosystems.co.uk

 **AstroSystems, Inc.**

4210 Production Court
Las Vegas
Nevada 89115
Tel +1 702 643 1600
Fax +1 702 643 1717
Email sales@astrosystemsinc.com

 **Microsystem Controls Pty Ltd**

Sydney
Unit 6, 11 Robertson Place
South Penrith
NSW 2750 Australia
Tel +61 2 4731 6655
Fax +61 2 4731 4934
Email sales@microcoin.com

Melbourne
Unit D2.0, Ground Floor
63-85 Turner Street
Port Melbourne
Victoria 3207 Australia
Tel +61 3 9646 6446
Fax +61 3 9646 6447
Email sales@microcoin.com

 **AstroSystems (Far East) Ltd**

2/F 28 Hung To Road
Kwun Tong
Kowloon
Hong Kong
Tel +852 2342 6123
Fax +852 2342 6105
Email ASF.Sales@astrotech.com.hk

Authorised Distributor

